

DESCRIZIONE:

"V" WALL MOUNTED DROP LEVER

Codice disegno: 40015.2MECAS

APPLICATION:

- Bench mounting

DETAILS:

- Test pressure: 9 Bars/air
- Max working pressure: 10 Bars

SURFACE PROTECTION:

- Epoxy powder coating RAL 7035

MATERIALS:

- Brass
- Steel

HEADWORK SEALING:

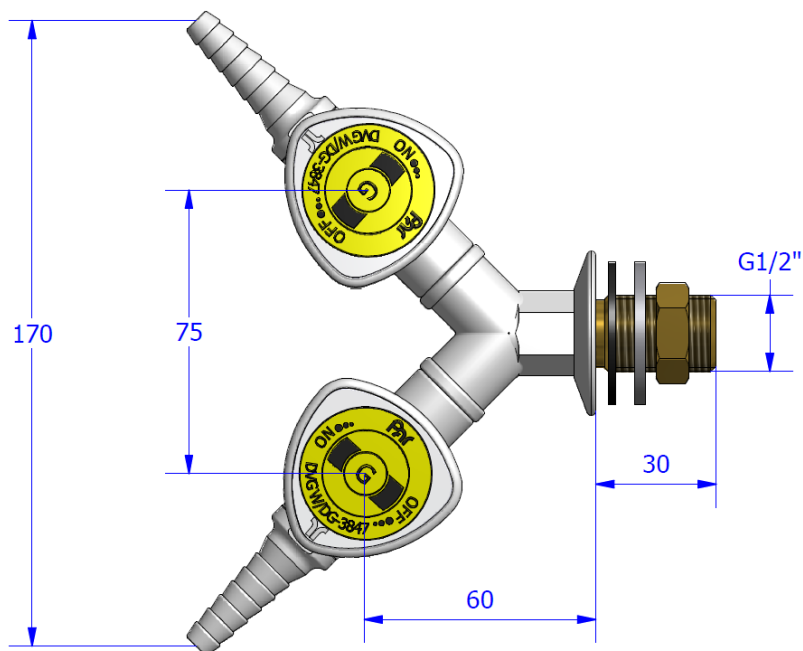
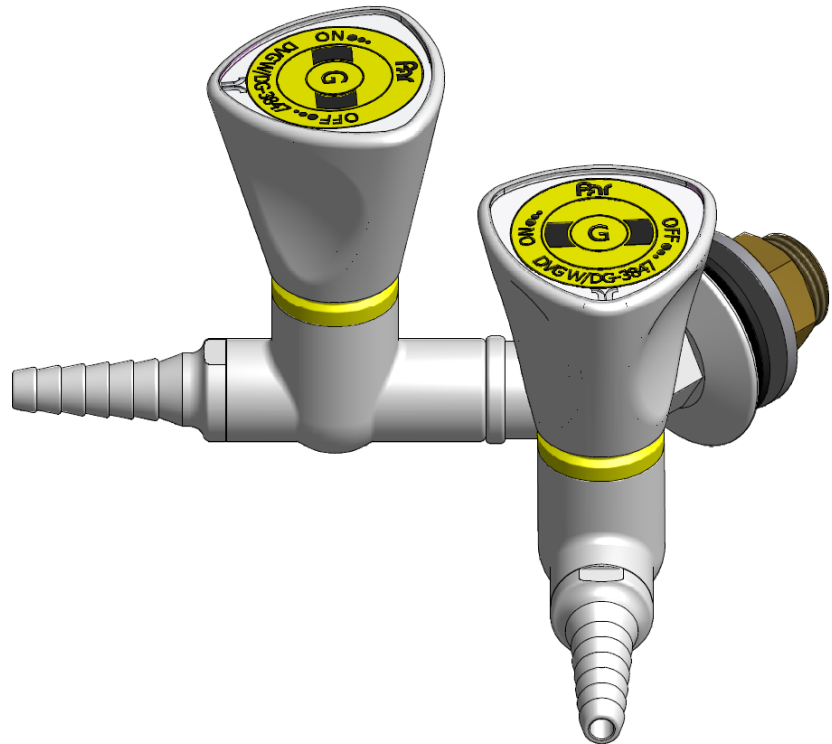
- PTFE Ball valve

CONNECTION TAP:

- Male thread G3/8"

STANDARD AND NORMS:

- EN13792:2000
- DIN12898
- DIN12918
- ISO228/1



WARRANTY 2 YEARS