

APPLICATION:

- Bench mounting

DETAILS:

- Test pressure: 9 Bars/air
- Max working pressure: 5 Bars
- Flow rate limited to 14L/min

SURFACE PROTECTION:

- Chemical nikel plating

MATERIALS:

- Brass
- ABS
- EPDM
- Stainless steel

HEADWORK SEALING:

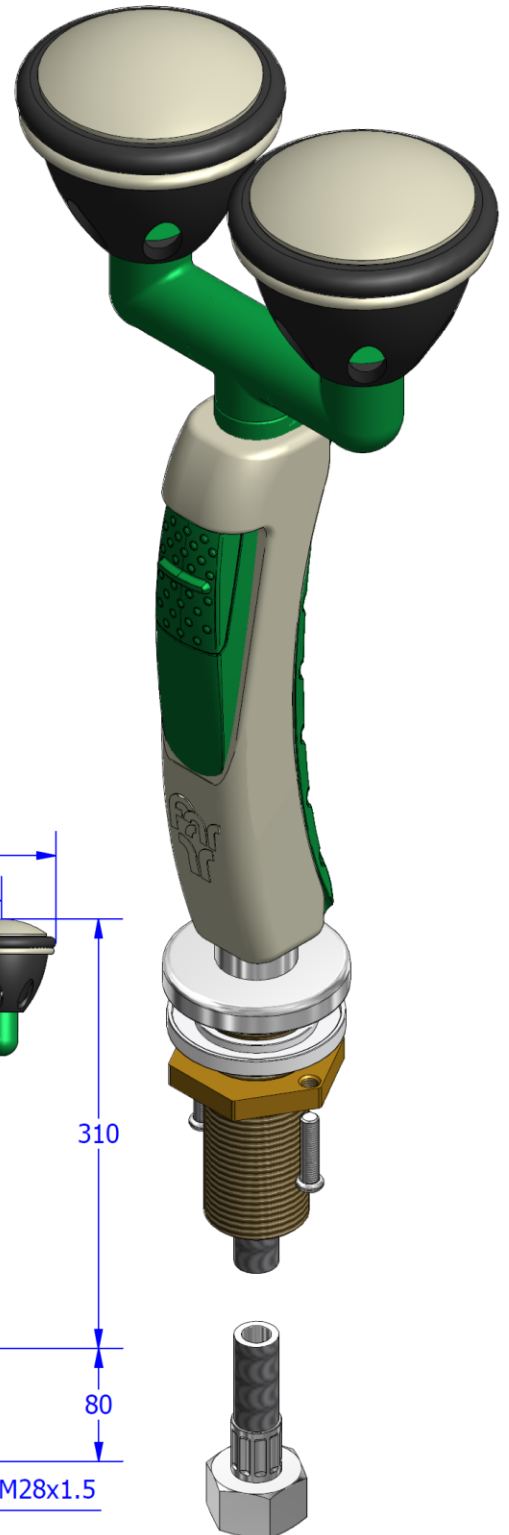
- EPDM temperature working range: 0-70°

CONNECTION TAP:

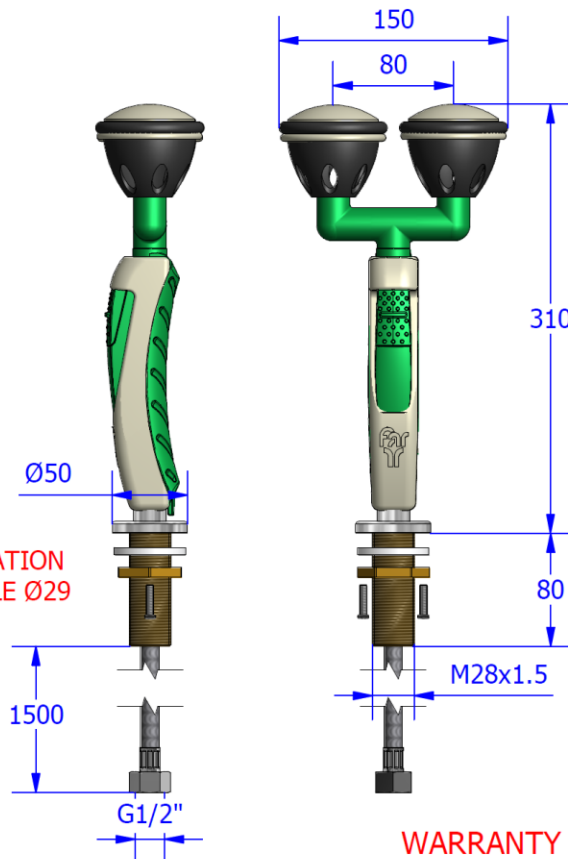
- Swivelling cup G1/2" female

STANDARD AND NORMS:

- DIN4844-2-D and BGV A8
- DIN1988 - DIN EN 1717
- DIN EN 15154-2:2006
- ANSA Z358.1-2004



FOR INSTALLATION
DRILL AN HOLE Ø29



WARRANTY 2 YEARS