

DESCRIZIONE:

SINGLE STANDOUT

Codice disegno: 13010.2MY-V

APPLICATION:

- Bench mounted

DETAILS:

- Test pressure: 9 Bars/air
- Max working pressure: 20 Bars

SURFACE PROTECTION:

- Epoxy powder coating

RAL 7035

MATERIALS:

- Brass
- Handle in PP

HEADWORK SEALING:

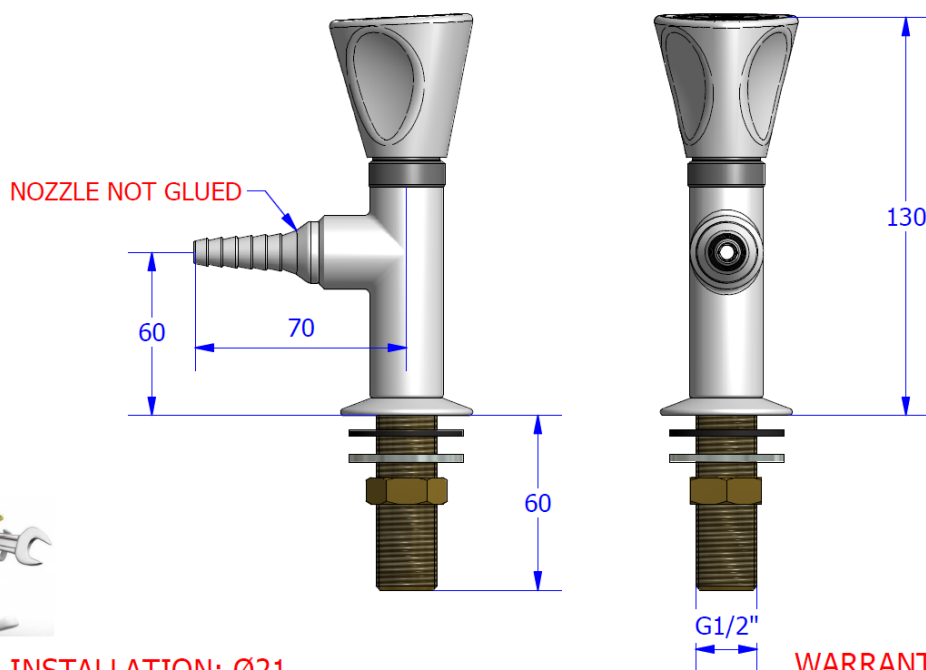
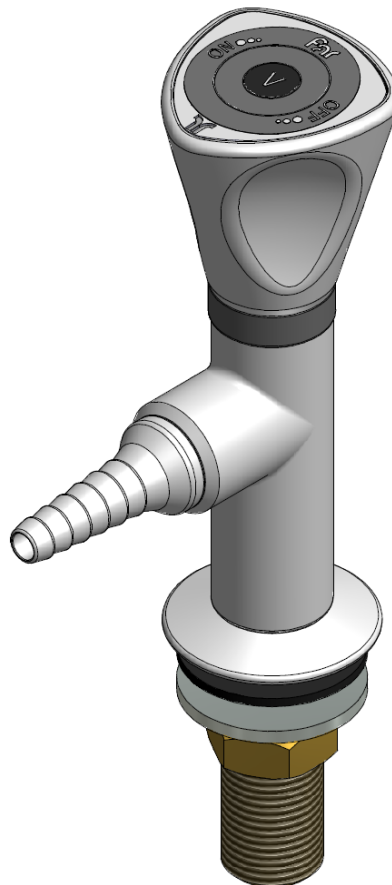
- PTFE temperature working range: 0 - 100°

CONNECTION TAP:

- Male thread G1/2"

STANDARD AND NORMS:

- EN13792:2000
- DIN12898
- DIN12918
- ISO228/1



HOLE TO DRILL FOR INSTALLATION: Ø21

WARRANTY 2 YEARS